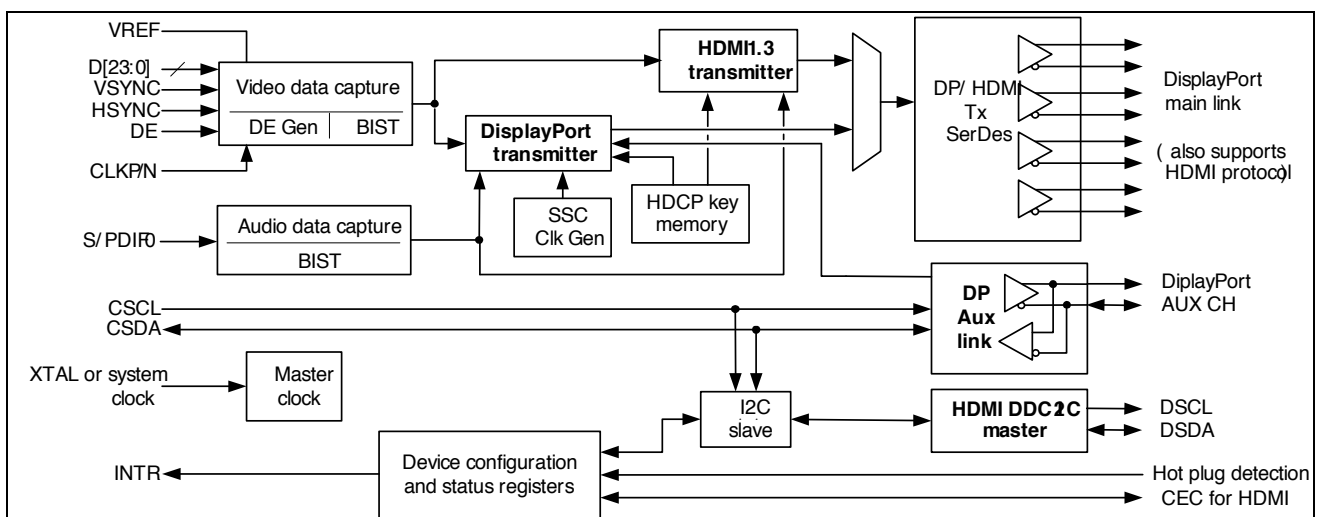


Dual Mode DisplayPort™ Transmitter

ANX9804 is a low power dual mode DVO/LVTTL to DisplayPort/HDMI™ transmitter product designed for motherboard. The proprietary circuit technique adopted by ANX9804 makes the power consumption extreme low. With its low power consumption, it can fit into very small form factor devices that fit into modern lifestyle. ANX9804, a first in its class product, can be used in conjunction with ANX9835 (DisplayPort to DisplayPort/HDMI replicator) and ANX9815 (DisplayPort receiver) to provide end-to-end interface connectivity.

Features

- Product compliance
 - DisplayPort 1.1a with HDCP 1.3
 - HDMI 1.3 with HDCP 1.2
 - HDMI 1.2 and DVI 1.0 backward compatible
- Output interface
 - Dual mode: DisplayPort or HDMI output
 - 1/2/4 lane operation at up to HBR (2.7 Gbps/lane) and RBR (1.62 Gbps/lane)
 - DisplayPort mode spread spectrum clock (SSC) support
 - Support up to 2560 x 1600@60Hz (WQXGA) with 30bpp color depth
 - YCbCr to RGB conversion supported
 - 4:4:4 and 4:2:2 data input formats supported
 - 18/24/30/36 bits per pixel video supported
 - Embedded audio supported
 - Fully integrated HDCP encryption for DisplayPort and HDMI modes
- Input interface
 - 24-bit DVO/LVTTL flexible video input
 - SDR and DDR data modes supported
 - Deep color up to 36bpp in DDR supported
- Audio input interface
 - S/PDIF audio mode including two-channel uncompressed L-PCM and multi-channel compressed DTS supported
 - 32, 44.1, 48, 88.2, 96, 176.4 to 192KHz audio
- Fully integrated HDCP hardware and keys shared for DisplayPort and HDMI modes
- Built-in video pattern generator and audio tone generator for system self-test
- Power management
 - 1.8V and 3.3V power supplies
 - Software controlled power management
- Package: 81-ball BGA





Related Products

Part Number	Description
ANX6345	LVTTTL (up to 36-bit input) to DisplayPort 1.2 transmitter

Copyright ©2014 Analogix Semiconductor, Inc.
3211 Scott Blvd., Suite 103
Santa Clara, CA 95054, USA
+1 (408) 988-8848

<http://www.analogix.com/>

©2014 Analogix Semiconductor, Inc. All Rights reserved.

THE INFORMATION CONTAINED IN THIS DOCUMENT IS PROVIDED "AS IS" WITHOUT ANY EXPRESS REPRESENTATIONS OF WARRANTIES. IN ADDITION, ANALOGIX SEMICONDUCTOR INC. DISCLAIMS ALL IMPLIED REPRESENTATIONS AND WARRANTIES, INCLUDING ANY WARRANTY OF MERCHANTABILITY, FITNESS FOR A PARTICULAR PURPOSE, OR NON-INFRINGEMENT OF THIRD PARTY INTELLECTUAL PROPERTY RIGHTS.

This document contains proprietary information of Analogix Semiconductor, Inc. or under license from third parties. No part of this document may be reproduced in any form or by any means or transferred to any third party without the prior written consent of Analogix Semiconductor, Inc.

The information contained in this document is not designed or intended for use in on-line control of aircraft, aircraft navigation or aircraft communications; or in the design, construction, operation or maintenance of any nuclear facility. Analogix disclaims any express or implied warranty of fitness for such uses.

Analogix Semiconductor, Inc., the Analogix Logo, and WideEye™ SerDes, SlimPort®, and CoolHD® are trademarks of Analogix Semiconductor, Inc., in the United States and other countries.

HDMI, the HDMI logo and High-Definition Multimedia Interface are trademarks or registered trademarks of HDMI Licensing LLC.

DisplayPort and the DisplayPort logo are trademarks or registered trademarks of the Video Electronics Standards Association, VESA®.

USB and the USB logo are trademarks or registered trademarks of USB Implementers Forum, Inc., creators of USB technology.

All other trademarks and registered trademarks are the property of their respective owners.