

Ultra Low Power HDMI™ Transmitter

A *CoolHD™* family product

Features

- HDMI 1.3 compatible transmitter
- Optional HDCP 1.2 function with internal keys
- Supports Link rates up to 165Mpixels/sec
- **Low power consumption (standby and normal mode)**
 - **Less than 1.5 mW in 480i mode**
 - **Less than 1.5 mW in 480p/720p/1080i mode**
- Flexible video pixel input interface
 - Supports DVD and HD MPEG decoders
 - 24-bit RGB/YCbCr 4:4:4
 - 16/20/24-bit YCbCr 4:2:2
 - 8/10/12-bit YC Mux (ITU.601 and 656)
 - YCbCr-to-RGB color space conversion
 - 4:2:2 to 4:4:4 up-sample
 - Backward compatible with DVI 1.1
- Advanced digital audio interface
 - 8-channel I²S support Dolby Digital, and DVD-Audio
 - S/PDIF supports PCM, Dolby Digital, DTS digital audio transmission
 - IEC 60958 or IEC 61937 compatible
 - Up to 6 channels 1-bit super audio support
 - Programmable I²S channel mapping
 - 2:1 and 4:1 down-sampling to handle 96 KHz and 192 KHz audio stream
- Software-controlled power management
- Programmable output swing

- Packages offered:
 - 48 pins QFN
 - 80 pins LQFP
 - 81 balls BGA

ANX7150, a *CoolHD™* family product, is an ultra-low power HDMI Transmitter designed for portable applications including media players, camcorders, digital still cameras and mobile phones. Using proprietary circuit techniques, ANX7150 uses less than 95% of the power used by similar devices.

ANX7150 can be ordered with an optional HDCP 1.2 function (including internal keys) to support content protection.

Built-in video pattern generator and audio tone generator are included for system self-test.

Power requirement is 1.8V and 3.3V.

For package and HDCP options, refer to the parts ordering information.

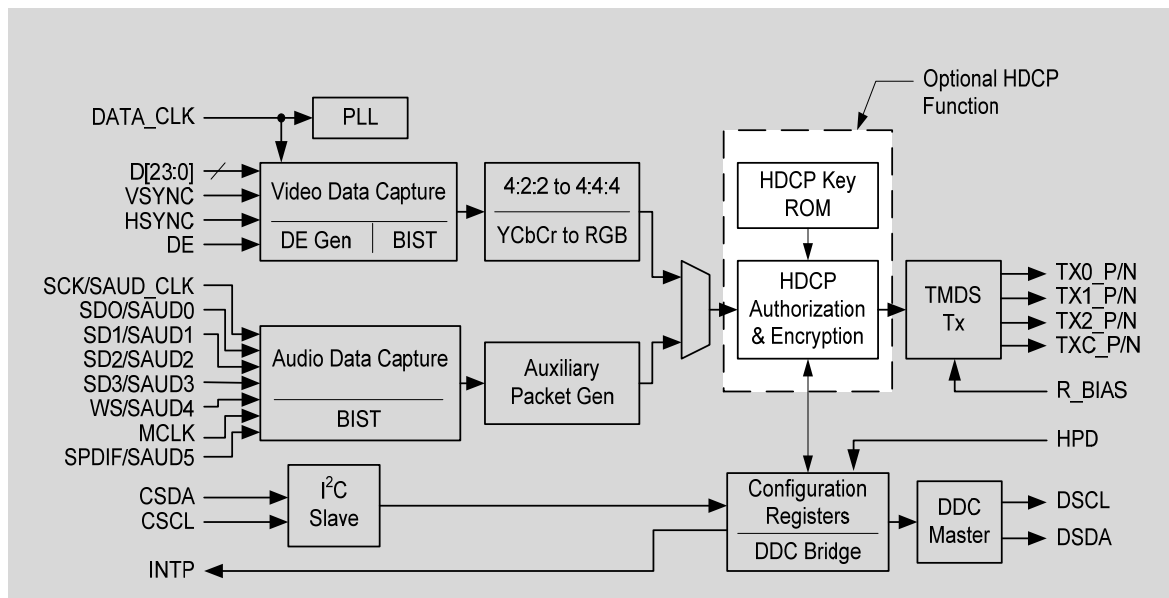


Figure 1: ANX7150 Block Diagram

Parts Ordering Information

Part No.	Description	Availability
ANX7150F	No HDCP function 48 pin, 6 x 6 mm, QFN package	Now
ANX7150FH	HDCP function enabled 48 pin, 6 x 6 mm, QFN package	Now
ANX7150L	No HDCP function 80 pin, 10 x 10mm, LQFP package	Now
ANX7150LH	HDCP function enabled 80 pin, 10 x 10mm, LQFP package	Now
ANX7150B	No HDCP function 81 ball, 4.2 x 4.2mm, BGA package	TBD
ANX7150BH	HDCP function enabled 81 ball, 4.2 x 4.2mm, BGA package	TBD

Copyright ©2008 Analogix Semiconductor, Inc .
 3211 Scott Blvd., Suite 102
 Santa Clara, CA 95054, USA

(+1) 408-988-8848

<http://www.analogix.com>

©2009 Analogix Semiconductor, Inc. All Rights reserved.

THE INFORMATION CONTAINED IN THIS DOCUMENT IS PROVIDED "AS IS" WITHOUT ANY EXPRESS REPRESENTATIONS OF WARRANTIES. IN ADDITION, ANALOGIX SEMICONDUCTOR INC. DISCLAIMS ALL IMPLIED REPRESENTATIONS AND WARRANTIES, INCLUDING ANY WARRANTY OF MERCHANTABILITY, FITNESS FOR A PARTICULAR PURPOSE, OR NON-INFRINGEMENT OF THIRD PARTY INTELLECTUAL PROPERTY RIGHTS. SPECIFICATION IS SUBJECT TO CHANGE WITHOUT NOTICE.

This document contains proprietary information of Analogix Semiconductor, Inc. or under license from third parties. No part of this document may be reproduced in any form or by any means or transferred to any third party without the prior written consent of Analogix Semiconductor, Inc. The information contained in this document is not designed or intended for use in on-line control of aircraft, aircraft navigation or aircraft communications; or in the design, construction, operation or maintenance of any nuclear facility. Analogix disclaims any express or implied warranty of fitness for such uses.

Analogix Semiconductor, Inc., the Analogix Logo, and WideEye™ SerDes, and CoolHD™ are trademarks of Analogix Semiconductor, Inc., in the United States and other countries.

HDMI, the HDMI logo and High-Definition Multimedia Interface are trademarks or registered trademarks of HDMI Licensing LLC.

DisplayPort and the DisplayPort logo are trademarks or registered trademarks of the Video Electronics Standards Association, VESA®.

All other trademarks and registered trademarks are the property of their respective owners.