

## DisplayPort™ to VGA Converter

### Features

- Product Compliance
  - DisplayPort 1.1a and DisplayPort Interoperability Guidelines
- Output Interface
  - VGA output pixel rate up to 178MHz
  - Support resolution up to 1920\*1200@60Hz
  - 8-bit per color RGB color format support
  - Automatic monitor plug and unplug detect for VGA output
  - VGA output meet VESA VSIS v1r2 clock jitter target
  - EDID and MCCS pass-through support
  - 5V output, internally regulated, pin support for DDC lines on the VGA connector
- Input Interface
  - DisplayPort 1.1a Receiver
  - Configurable 1 or 2 lanes and 1.62/2.7 Gbps data rate
  - Down Spread Spectrum (SSC) support
  - Advanced WideEye™ SerDes Technology capable of receiving data over long and/or low quality cables
- Other Key Features
  - Ultra-fast video image recovery
  - 27MHz crystal input

- Power Supplies: 1.2V and 3.3V
- 8KV ESD Performance
- Packages offered: 48 pin QFN
- Application
  - TV and Monitors
  - Set-Top Box
  - Notebook/Notebook Docking Station
  - DisplayPort to VGA Dongle Solutions

The ANX9832 is a low power DisplayPort to VGA converter designed for Flat-TV, Set-top box, Notebook, Desktop, PC/Handheld docking station and Dongle connector solutions. Using proprietary circuit techniques, ANX9832 consumes very low power.

The ANX9832 provides a cost-effective method of connecting PCs and notebooks with DisplayPort connectors to connect to legacy VGA displays, and projectors. The device architecture incorporates 8-bit per color for Flat-TV 1080p resolutions and WUXGA resolutions.

For more information, please refer to the Analogix related products.

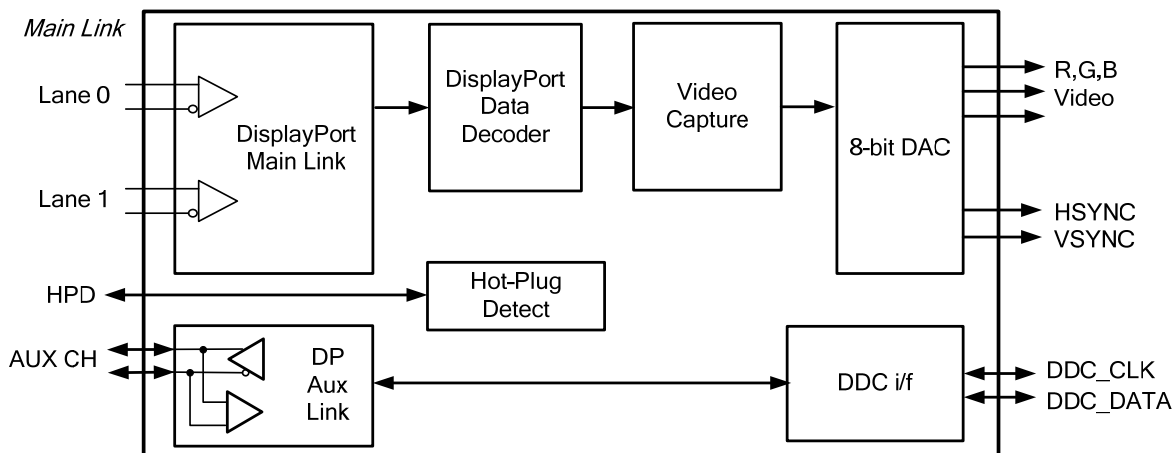


Figure 1: ANX9832 Block Diagram

## Parts Ordering Information

Part No.	Description	Availability
ANX9832	Low Power DisplayPort™ Converter with VGA Output 48 pin, 7 x 7 mm, QFN package	Now
ANX9832_EV	ANX9832 Evaluation Kit	Now

## Analogix Related Products

Part No.	Description	Availability
ANX9804	DVO/LVTTL(24-bit input) to DisplayPort™ 1.1a or HDMI™ 1.3 Transmitter with HDCP 1.3 content protection	Now
ANX9805	DVO/LVTTL(18-bit input) to DisplayPort™ 1.1a or HDMI™ 1.3 Transmitter with HDCP 1.3 content protection	Now
ANX9830	DisplayPort™ to HDMI™/DVI Converter	Now
ANX9815	4-Lane DisplayPort™ Receiver with LVDS or LVTTL Output	Now
ANX9841	4-Lane DisplayPort™ Receiver with Timing Controller	Now

Copyright ©2009 Analogix Semiconductor, Inc .  
 3211 Scott Blvd., Suite 102  
 Santa Clara, CA 95054, USA

(+1) 408-988-8848

<http://www.analogix.com>

©2009 Analogix Semiconductor, Inc. All Rights reserved.

THE INFORMATION CONTAINED IN THIS DOCUMENT IS PROVIDED "AS IS" WITHOUT ANY EXPRESS REPRESENTATIONS OF WARRANTIES. IN ADDITION, ANALOGIX SEMICONDUCTOR INC. DISCLAIMS ALL IMPLIED REPRESENTATIONS AND WARRANTIES, INCLUDING ANY WARRANTY OF MERCHANTABILITY, FITNESS FOR A PARTICULAR PURPOSE, OR NON-INFRINGEMENT OF THIRD PARTY INTELLECTUAL PROPERTY RIGHTS. SPECIFICATION IS SUBJECT TO CHANGE WITHOUT NOTICE.

This document contains proprietary information of Analogix Semiconductor, Inc. or under license from third parties. No part of this document may be reproduced in any form or by any means or transferred to any third party without the prior written consent of Analogix Semiconductor, Inc. The information contained in this document is not designed or intended for use in on-line control of aircraft, aircraft navigation or aircraft communications; or in the design, construction, operation or maintenance of any nuclear facility. Analogix disclaims any express or implied warranty of fitness for such uses.

Analogix Semiconductor, Inc., the Analogix Logo, and WideEye™ SerDes, and CoolHD™ are trademarks of Analogix Semiconductor, Inc., in the United States and other countries.

HDMI, the HDMI logo and High-Definition Multimedia Interface are trademarks or registered trademarks of HDMI Licensing LLC.

DisplayPort and the DisplayPort logo are trademarks or registered trademarks of the Video Electronics Standards Association, VESA®.

All other trademarks and registered trademarks are the property of their respective owners.