



ANX8560™ Single-Port Deep Color HDMI™ Transmitter

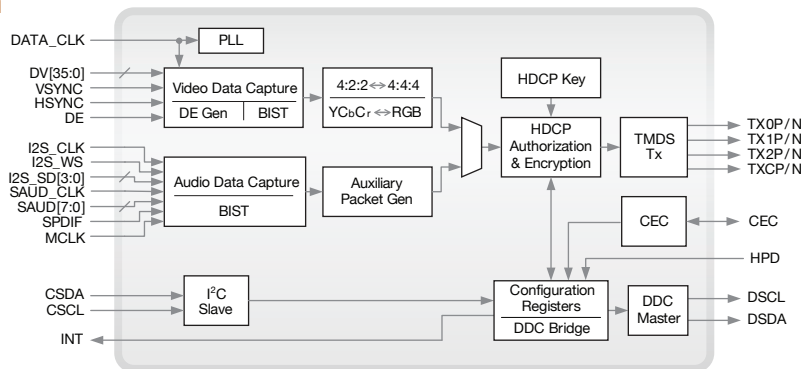
ANX8560™ Single-Port Deep Color HDMI™ Transmitter with HDMI 1.3 Technology

The ANX8560 is a high performance HDMI transmitter that supports the newest HDMI 1.3 standard. It offers deep color support which increases the standard 24 bit per pixel color depth to 30 or 36 bits per pixel, producing a more natural digital image. New HD audio modes are also supported for improved sound fidelity. The ANX8560 is pin-compatible with the Si9134 and implements a dual-purpose CEC/SAUD7 pin. The device interfaces to the HDMI output connector of an HDMI-enabled digital video source, such as a digital set-top box, DVD player, or integrated Audio/Video receiver. It also includes other HDMI connector functions such as the I²C interface for the DDC (Display Data Channel) and the Hot Plug Detection input. The ANX8560 accepts digital video and audio in many commonly used data formats, sample rates, and bit resolutions. The ANX8560 transmitter is fully interoperable with HDMI receivers, including the Analogix ANX9011, ANX9021, and ANX8770/75 devices.

Features

- HDMI 1.3 compliant transmitter with deep color support
 - Supports pixel rates beyond 165Mpix/second
 - TMDS output clock up to 250MHz
 - Firmware programmable output swing and pre-emphasis
 - HDCP 1.2 fully integrated authentication hardware with internal keys
- Flexible 36-bit video pixel input interface
 - Includes 24, 30 & 36-bit pixel video modes
 - Supports 4:4:4 and 4:2:2 data input formats and SDR (single clock edge) and DDR (dual clock edge) modes
 - Supports ITU 656 and YC mux data modes
- Flexible digital audio interface
 - Supports S/PDIF, 8 Channel I2S, 8 Channel One-Bit Audio
 - Audio sample rates up to 192kHz
 - Software controlled power management
- ANX8560 is pin-compatible with the Si9134 and supports CEC functions through a dual-purpose pin (Pin 23)
- Built-in video pattern generator and audio tone generator for system self-test
- Manufactured in a 100-lead TQFP lead-free package

Block Diagram



Worldwide Locations

Analogix is positioned to support customers worldwide with headquarters in Santa Clara, CA and design engineering and product support in Beijing, China. Analogix also has sales support offices in Taiwan and Japan. For more information: www.analogix.com