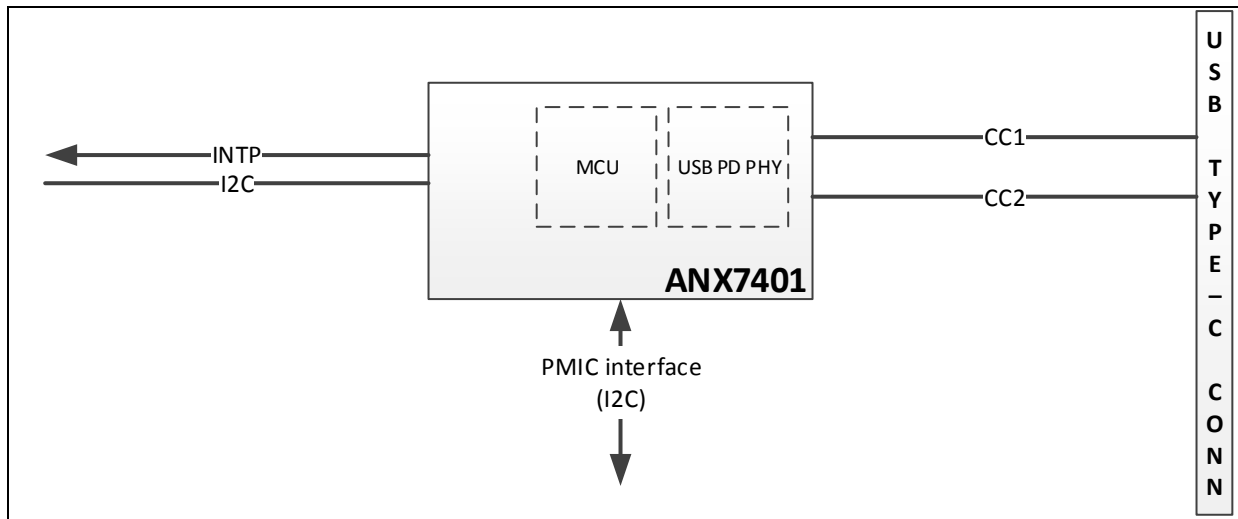


USB Power Delivery PHY with Channel Configuration Control

ANX7401 is a USB Power Delivery (USB-PD) PHY with an On-chip Microcontroller (OCM). The OCM enables ANX7401 to manage the signal switching, Channel Configuration (CC) detection, USB Power Delivery charging and Vendor Defined Message (VDM) protocol, and other functions, as defined in the USB Type-C™ v1.1 and USB Power Delivery v2.0 specifications. ANX7401 is designed as a companion IC to various CPUs and Application Processors (APs) to enable notebook PCs, tablets, and smartphones to use the reversible USB Type-C (USB-C™) receptacle as a Downstream Facing Port (DFP). In the DFP configuration, ANX7401 has HPD output to support DisplayPort™ Alternate Mode as defined by VESA®.

Features

- On-chip Microcontroller (OCM) to implement USB-PD messaging and DisplayPort related functions
- DisplayPort Alternate Mode communication support through USB-PD structured VDM messaging
- 5V-tolerant CC/VCONN signals
- Dead battery detection support
- I2C slave mode to support external MCU/IC
- VBUS control and USB_ID pins to control external Power Management Integrated Circuits (PMICs) or USB charger IC based on the USB-PD configuration
- 3.3V power supply for analog part (1.0V Core power generated by internal regulator)
- 1.8V~3.3V power supply for digital IO
- Supports the following
 - USB Power Delivery Specification v2.0 on CC wire
 - DisplayPort Alternate Mode on USB Type-C Standard
- Designed to the following specifications
 - USB Type-C Cable and Connector Specification v1.1
 - USB Power Delivery Specification v2.0



Related Products

Part Number	Description
ANX7408	USB3 Switch, USB-PD and Channel Configuration Controller
ANX7428	DP Alternate Mode (up to 4L), USB3 Switch, USB-PD and Channel Configuration Controller
ANX7430	USB 3.1 Gen 2 10G Re-timer (1x1, 1x2)
ANX7440	10G Active Mux (6x4) with Integrated Re-timers for USB 3.1/DisplayPort
ANX7688	HDMI to USB Type-C Bridge (Port Controller with MUX)

Copyright ©2016 Analogix Semiconductor, Inc.
3211 Scott Blvd., Suite 100
Santa Clara, CA 95054, USA
+1 (408) 988-8848

<http://www.analogix.com/>

©2016 Analogix Semiconductor, Inc. All Rights reserved.

THE INFORMATION CONTAINED IN THIS DOCUMENT IS PROVIDED "AS IS" WITHOUT ANY EXPRESS REPRESENTATIONS OF WARRANTIES. IN ADDITION, ANALOGIX SEMICONDUCTOR INC. DISCLAIMS ALL IMPLIED REPRESENTATIONS AND WARRANTIES, INCLUDING ANY WARRANTY OF MERCHANTABILITY, FITNESS FOR A PARTICULAR PURPOSE, OR NON-INFRINGEMENT OF THIRD PARTY INTELLECTUAL PROPERTY RIGHTS.

This document contains proprietary information of Analogix Semiconductor, Inc. or under license from third parties. No part of this document may be reproduced in any form or by any means or transferred to any third party without the prior written consent of Analogix Semiconductor, Inc.

The information contained in this document is not designed or intended for use in on-line control of aircraft, aircraft navigation or aircraft communications; or in the design, construction, operation or maintenance of any nuclear facility. Analogix disclaims any express or implied warranty of fitness for such uses.

Analogix Semiconductor, Inc., the Analogix Logo, and WideEye™ SerDes, CoolHD™, and SlimPort® are trademarks of Analogix Semiconductor, Inc., in the United States and other countries.

HDMI, the HDMI logo and High-Definition Multimedia Interface are trademarks or registered trademarks of HDMI Licensing LLC.

DisplayPort and the DisplayPort logo are trademarks or registered trademarks of the Video Electronics Standards Association, VESA®.

USB and the USB logo are trademarks or registered trademarks of USB Implementers Forum, Inc., creators of USB technology.

All other trademarks and registered trademarks are the property of their respective owners.