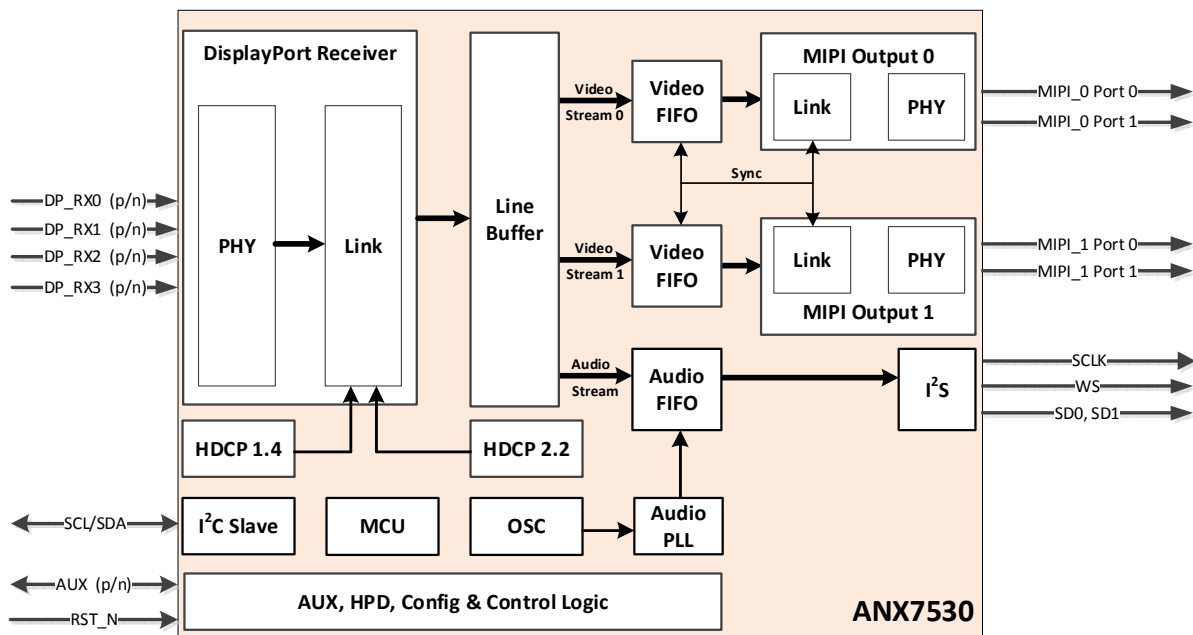


## SlimPort® (4K Ultra-HD) Receiver

ANX7530 is a low-power 4K Ultra-HD (4096x2160p60) mobile HD receiver targeted primarily for Virtual Reality (VR) headsets. With a 4-lane DisplayPort1.4 input and dual MIPI outputs, ANX7530's feature set is optimized to meet the high performance requirements for current and next generation Head-Mounted Displays (HMD) for Augmented Reality (AR) and Virtual Reality. Moreover, with data rate support of up to 6.75Gbps on its DisplayPort input, ANX7530 is an ideal companion device for SlimPort transmitters currently implemented in many leading smart phones.

### Features

- Standard compliance
  - DisplayPort1.4, HDCP2.2/1.4
  - MIPI-DSI 1.2 and D-PHY 1.1
- DisplayPort Receiver
  - DisplayPort1.4 receiver
  - Configurable 1, 2 or 4-lane input supports: HBR2.5 (6.75Gbps), HBR2 (5.4Gbps), HBR (2.7Gbps), and RBR (1.62Gbps) data rates
  - Horizontal left / right line splitting
  - 3D stereo modes
  - HDCP2.2 and HDCP1.4 support
- Resolution
  - DisplayPort Receiver Input Bandwidth supports up to 4K x 2K x 60Hz
- Two MIPI DSI transmitter interface outputs
  - Two MIPI ports per display output
  - Display synchronization
  - 8-MIPI lanes total per MIPI interface output
  - MIPI-DSI data rates up to 1.5 Gbps per lane
- System operation and power supply
  - Slave I<sup>2</sup>C interface
  - 1.0V and 1.8V
- I<sup>2</sup>S Stereo Audio Output
  - 2-channels, 192Khz sample rate
  - Up to 8-channels TDM
- Package:
  - ANX7530BH: 100-pin BGA, 5mm x 5mm
  - ANX7530VH: 169-pin BGA, 8mm x 8mm



## Related Products

| Part Number | Description   |
|-------------|---|
| ANX7533     | SlimPort DisplayPort to Dual-MIPI converter with 3:1 DSC on its MIPI Transmitters                         |
| ANX7580     | SlimPort DisplayPort to Single-MIPI converter with 3:1 DSC on its MIPI Transmitter                        |
| ANX7688     | SlimPort HDMI to USB Type-C Controller and Transmitter (Ultra-HD, 2160p60)                                |
| ANX7625     | SlimPort MIPI-DSI to USB Type-C Controller and Transmitter (Ultra-HD, 2160p30)                            |
| ANX7805     | SlimPort Transmitter (Full-HD, 1080p60) with RGB-24, MIPI-DSI, SPDIF, I <sup>2</sup> S and SLIMbus inputs |
| ANX7816     | SlimPort Transmitter (Ultra-HD, 2160p30) with HDMI input  |
| ANX7747     | SlimPort to VGA (WUXGA, 1920x1080p60) converter   |
| ANX7738     | SlimPort to HDMI 1.4b (Ultra-HD, 2160p30 and 3D) converter  |

Copyright ©2018 Analogix Semiconductor, Inc.  
3211 Scott Blvd., Suite 100  
Santa Clara, CA 95054, USA  
+1 (408) 988-8848

<http://www.analogix.com/>

©2016 Analogix Semiconductor, Inc. All Rights reserved.

THE INFORMATION CONTAINED IN THIS DOCUMENT IS PROVIDED "AS IS" WITHOUT ANY EXPRESS REPRESENTATIONS OF WARRANTIES. IN ADDITION, ANALOGIX SEMICONDUCTOR INC. DISCLAIMS ALL IMPLIED REPRESENTATIONS AND WARRANTIES, INCLUDING ANY WARRANTY OF MERCHANTABILITY, FITNESS FOR A PARTICULAR PURPOSE, OR NON-INFRINGEMENT OF THIRD PARTY INTELLECTUAL PROPERTY RIGHTS.

This document contains proprietary information of Analogix Semiconductor, Inc. or under license from third parties. No part of this document may be reproduced in any form or by any means or transferred to any third party without the prior written consent of Analogix Semiconductor, Inc.

The information contained in this document is not designed or intended for use in on-line control of aircraft, aircraft navigation or aircraft communications; or in the design, construction, operation or maintenance of any nuclear facility. Analogix disclaims any express or implied warranty of fitness for such uses.

Analogix Semiconductor, Inc., the Analogix Logo, and WideEye™ SerDes, CoolHD™, and SlimPort® are trademarks of Analogix Semiconductor, Inc., in the United States and other countries.

HDMI, the HDMI logo and High-Definition Multimedia Interface are trademarks or registered trademarks of HDMI Licensing LLC.

DisplayPort and the DisplayPort logo are trademarks or registered trademarks of the Video Electronics Standards Association, VESA®.

USB and the USB logo are trademarks or registered trademarks of USB Implementers Forum, Inc., creators of USB technology.

All other trademarks and registered trademarks are the property of their respective owners.