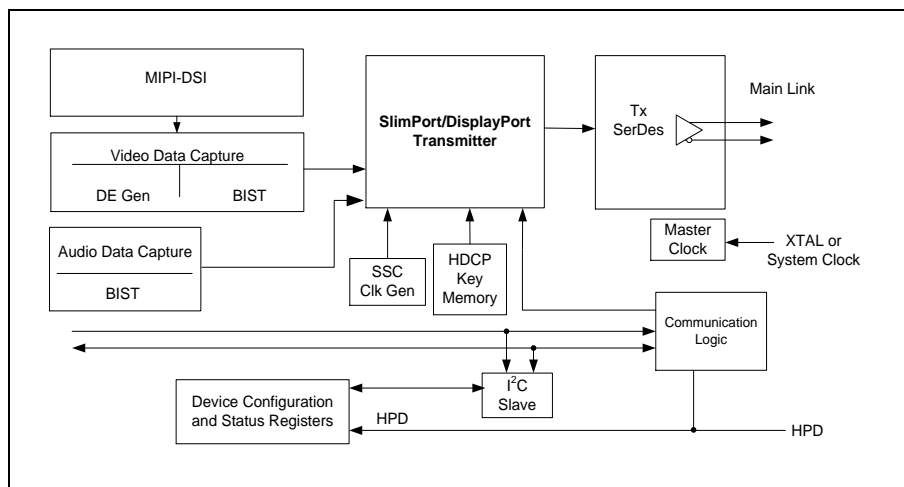


SlimPort® Transmitter

The ANX7805 is an ultra-low power SlimPort® transmitter designed for portable devices, such as Ultrabooks, tablets, smartphones, camcorders, and digital still cameras. ANX7805 works in conjunction with MyDP/DisplayPort™ receivers, such as the ANX7730 and ANX7732. The ANX7805 transforms the parallel video and audio output of the mobile device's application processor to MyDP or DisplayPort. External adapters can then convert MyDP or DisplayPort to HDMI, DVI, or to VGA so that the device can connect to any high-definition TV, monitor, or projector. Also, a passive MyDP to DisplayPort cable can connect to any DisplayPort connector. The mobile device's USB connector functions as USB when a MyDP receiver is not connected.

Features

- Standard compliance
 - DisplayPort 1.2, MyDP 1.0, MIPI-DSI 1.0
- USB data in/out
 - USB host, device, or OTG data passes through by default
 - Meets requirements of inter-chip USB specification
- Digital video and audio output
 - SlimPort output over mini- or micro-USB connector
 - DisplayPort, eDP, or MyDP output over any connector
 - Configurable 1-lane output supports: 5.4Gbps, 2.7Gbps, or 1.62Gbps data rates
 - Stereo (3D) video output support
 - Single wire (C-WIRE) sideband communication
 - Integrated CEC Support
 - HDCP 1.3 content protection (optional)
- Integrated analog switch and accessory detect
 - Seamless switching between USB and MyDP
 - SlimPort cable detect with FAIL-SAFE mechanism
- Digital video input
 - RGB-24 single data rate or 18-bits double data rate
 - MIPI-DSI (4-lanes) at 1Gbps/lane
 - Supports max pixel clock rates up to 185 Mpixels/sec
 - Up to 30 bpp color depth support in SlimPort mode
 - Supports 1.8V RGB-24 input mode
- Digital audio input
 - SLIMbus, S/PDIF and 8-Ch I²S input
 - Audio sample rates 32 kHz to 192 kHz
- System operation
 - Slave I²C device control interface
 - Built-in video BIST patterns and audio tone generator for system self-test
- Power requirements
 - 1.0V, 1.8V, and 3.3V power supplies
 - Standby Power: < 25uW, while monitoring cable detect
- Package offered: 81-ball, 4mm x 4mm, 0.4mm ball pitch



Related Products

| Part Number | Description |
|-------------|---|
| ANX7802 | SlimPort Transmitter (HD, 720p60) with HDMI input |
| ANX7814 | SlimPort Transmitter (Full-HD, 1080p60) with HDMI input |
| ANX7816 | SlimPort Transmitter (Ultra-HD, 2160p30) with HDMI input |
| ANX7836 | SlimPort Pro Transmitter (Ultra-HD, 2160p30) with HDMI and USB inputs |
| ANX7730 | SlimPort to HDMI 1.4b (Full-HD, 1080p60 and 3D) converter |
| ANX7732 | SlimPort to VGA (WUXGA, 1920x1080p60) converter |
| ANX7738 | SlimPort to HDMI 1.4b (Ultra-HD, 2160p30 and 3D) converter |
| ANX7750 | SlimPort to DisplayPort (Ultra-HD, 2160p30) lane converter |
| ANX7778 | SlimPort Pro to DisplayPort (Full-HD, 1080p60), HDMI (Full-HD, 1080p60) and USB 2.0 (480Mbps) converter |

Copyright ©2015 Analogix Semiconductor, Inc.
 3211 Scott Blvd., Suite 103
 Santa Clara, CA 95054, USA
 +1 (408) 988-8848

<http://www.analogix.com/>

©2015 Analogix Semiconductor, Inc. All Rights reserved.

THE INFORMATION CONTAINED IN THIS DOCUMENT IS PROVIDED "AS IS" WITHOUT ANY EXPRESS REPRESENTATIONS OF WARRANTIES. IN ADDITION, ANALOGIX SEMICONDUCTOR INC. DISCLAIMS ALL IMPLIED REPRESENTATIONS AND WARRANTIES, INCLUDING ANY WARRANTY OF MERCHANTABILITY, FITNESS FOR A PARTICULAR PURPOSE, OR NON-INFRINGEMENT OF THIRD PARTY INTELLECTUAL PROPERTY RIGHTS.

This document contains proprietary information of Analogix Semiconductor, Inc. or under license from third parties. No part of this document may be reproduced in any form or by any means or transferred to any third party without the prior written consent of Analogix Semiconductor, Inc.

The information contained in this document is not designed or intended for use in on-line control of aircraft, aircraft navigation or aircraft communications; or in the design, construction, operation or maintenance of any nuclear facility. Analogix disclaims any express or implied warranty of fitness for such uses.

Analogix Semiconductor, Inc., the Analogix Logo, and WideEye™ SerDes, CoolHD™, and SlimPort® are trademarks of Analogix Semiconductor, Inc., in the United States and other countries.

HDMI, the HDMI logo and High-Definition Multimedia Interface are trademarks or registered trademarks of HDMI Licensing LLC.

DisplayPort and the DisplayPort logo are trademarks or registered trademarks of the Video Electronics Standards Association, VESA®.

USB and the USB logo are trademarks or registered trademarks of USB Implementers Forum, Inc., creators of USB technology.

All other trademarks and registered trademarks are the property of their respective owners.