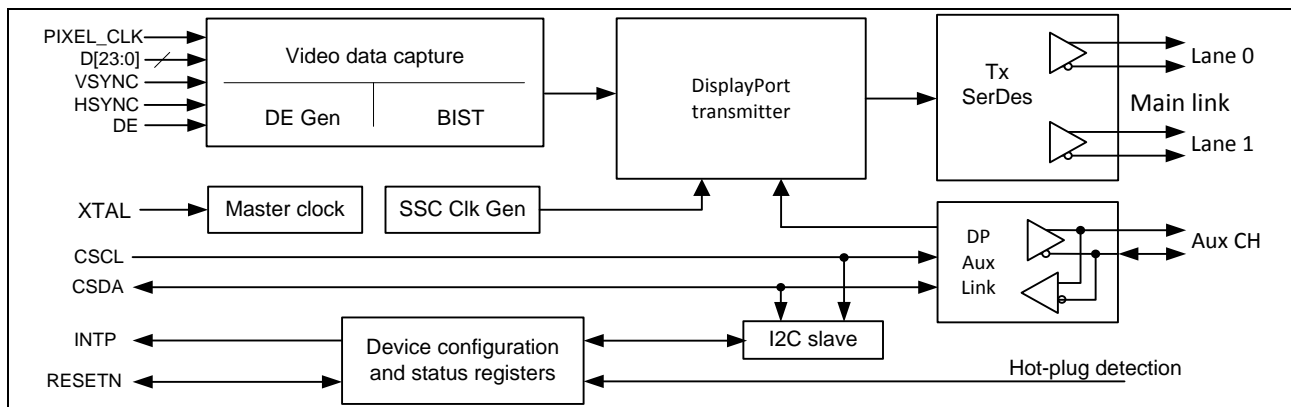


RGB to DisplayPort™ 1.2 Translator

ANX9807 is an ultra low power DP/eDP transmitter designed for motherboards. Any portable mobile device with an embedded ANX9807 device would be able to connect to any DP/eDP receiver through a passive cable as defined by DP/eDp specification.

Features

- Digital video input
 - 24-bits single data rate (SDR) or 18-bits double data rate (DDR) input video mode in LVCMOS
 - Pixel clock rate up to 270Mpixels/sec
 - Up to 36 bits per pixel video (DDR mode)
- Digital video output
 - DisplayPort 1.2 output
 - Configurable 2 lanes, with each lane supports data rate of 5.4Gbps, 2.7Gbps, or 1.62Gbps
 - AUX channel link bandwidth up to 1Mbps
- Resolution up to 2500*1600(WQXGA)@60Hz
- System operation
 - Slave I2C control interface
 - 0°C to +75°C operating temperature
- Power management
 - 1.2V and 2.5V power supply
 - Standby power consumption lower than 15mW
 - Active power consumption lower than 210mW (QXGA)
- Built-in video BIST patterns for system self-test
- Package: 8 x 8 mm 81-ball BGA (0.8 pitch)
- RoHS compliant and Halogen free package



Related Products

Part Number	Description
ANX9804	DVO/LVTTL (24-bit input) to DisplayPort 1.1a or HDMI 1.3 transmitter with HDCP 1.3 content protection

Copyright ©2014 Analogix Semiconductor, Inc.
3211 Scott Blvd., Suite 103
Santa Clara, CA 95054, USA
+1 (408) 988-8848

<http://www.analogix.com/>

©2014 Analogix Semiconductor, Inc. All Rights reserved.

THE INFORMATION CONTAINED IN THIS DOCUMENT IS PROVIDED "AS IS" WITHOUT ANY EXPRESS REPRESENTATIONS OF WARRANTIES. IN ADDITION, ANALOGIX SEMICONDUCTOR INC. DISCLAIMS ALL IMPLIED REPRESENTATIONS AND WARRANTIES, INCLUDING ANY WARRANTY OF MERCHANTABILITY, FITNESS FOR A PARTICULAR PURPOSE, OR NON-INFRINGEMENT OF THIRD PARTY INTELLECTUAL PROPERTY RIGHTS.

This document contains proprietary information of Analogix Semiconductor, Inc. or under license from third parties. No part of this document may be reproduced in any form or by any means or transferred to any third party without the prior written consent of Analogix Semiconductor, Inc.

The information contained in this document is not designed or intended for use in on-line control of aircraft, aircraft navigation or aircraft communications; or in the design, construction, operation or maintenance of any nuclear facility. Analogix disclaims any express or implied warranty of fitness for such uses.

Analogix Semiconductor, Inc., the Analogix Logo, and WideEye™ SerDes, SlimPort®, and CoolHD® are trademarks of Analogix Semiconductor, Inc., in the United States and other countries.

HDMI, the HDMI logo and High-Definition Multimedia Interface are trademarks or registered trademarks of HDMI Licensing LLC.

DisplayPort and the DisplayPort logo are trademarks or registered trademarks of the Video Electronics Standards Association, VESA®.

USB and the USB logo are trademarks or registered trademarks of USB Implementers Forum, Inc., creators of USB technology.

All other trademarks and registered trademarks are the property of their respective owners.