

## 8.1G DisplayPort™ 4-lanes Re-timer

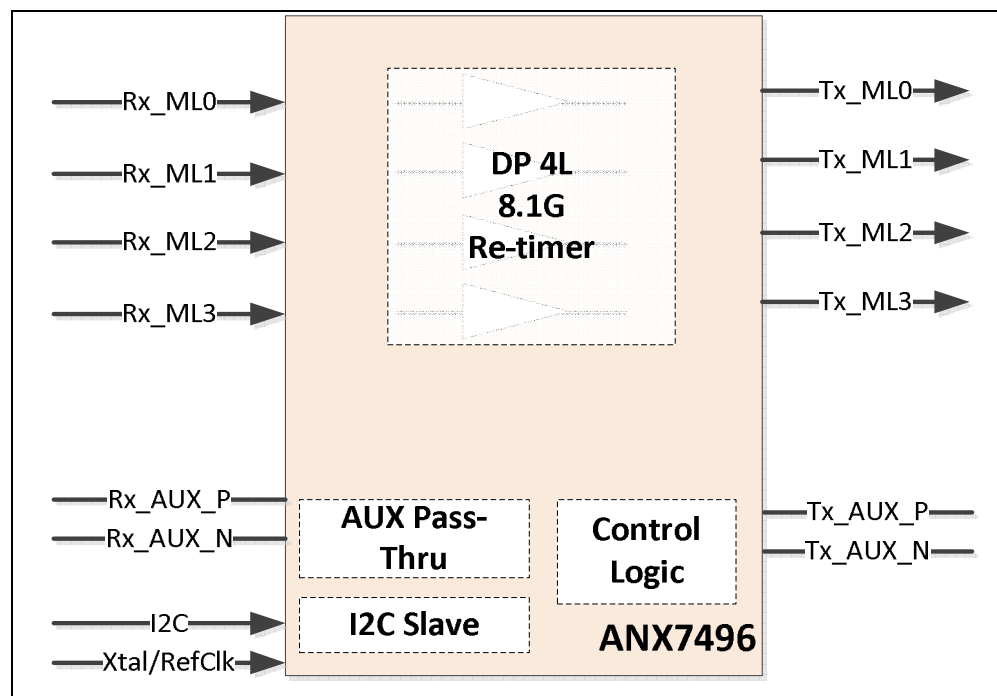
ANX7496 is a DisplayPort 4-lane re-timer capable of conditioning DP signals up to 8.1Gbps (supports HBR3, HBR2, HBR, RBR rates). ANX7496 can compensate signal loss of up to 27dB and can operate in either DP transparent mode or Link-Trainable Tunable PHY Repeater (LTTPR) mode. ANX7496 integrates the DP AUX signal pass-through and is protocol aware for better link power management and power savings. ANX7496 can be in various types of applications such as PCs, mobile, accessories, monitors, and VR HMDs with various connectors such as mini-DP, standard-DP, or even USB Type-C™ (USB-C™).

### Features

- Built-in re-timers
  - Integrated re-timers (Link training-tunable PHY repeater) for DisplayPort up to HBR3 @ 8.1Gbps
  - Supports both transparent mode and non-transparent mode (transparent or LTTPR)
  - Loss compensation to recover up to 27dB channel loss
- Integrated AUX pass-through
  - Integrated AUX detection for link training and protocol awareness for better link power management (LPM)
- Reference clock for re-timer
  - Utilizes a 24MHz reference XTAL or 1.05V single-ended clock source
- Serial and debug interfaces
  - I<sup>2</sup>C Slave interface, up to 1MHz, for re-timer configuration
- Industry standard compatibility
  - DisplayPort 1.4 specification
- Low-power design
  - Analog power supply at 1.8V
  - Dedicated supply power pin for I/O power at 1.8V
- Packages
  - BGA-56, 4.0mm x 4.5mm, 0.5mm ball-pitch
  - QFN-60, 7.0mm x 7.0mm, 0.85mm Z-height, 0.4mm pin-pitch
- Commercial temperature range of 0C to 70C

### Applications

Notebooks, desktops, and 2-in-1s



## Related Products

| Part Number | Description  |
|-------------|--|
| ANX7430     | 10G Active Mux (1x2) with Integrated Re-timer for USB 3.1 Gen2         |
| ANX7440     | 10G Active Mux (6x4) with Integrated Re-timers for USB 3.1/DisplayPort |
| ANX7490     | USB 3.1 Gen2 10G Re-timer (1x1)  |

Copyright ©2018 Analogix Semiconductor, Inc.  
3211 Scott Blvd., Suite 100  
Santa Clara, CA 95054, USA  
+1 (408) 988-8848  
<http://www.analogix.com/>

©2018 Analogix Semiconductor, Inc. All Rights reserved.

THE INFORMATION CONTAINED IN THIS DOCUMENT IS PROVIDED "AS IS" WITHOUT ANY EXPRESS REPRESENTATIONS OF WARRANTIES. IN ADDITION, ANALOGIX SEMICONDUCTOR INC. DISCLAIMS ALL IMPLIED REPRESENTATIONS AND WARRANTIES, INCLUDING ANY WARRANTY OF MERCHANTABILITY, FITNESS FOR A PARTICULAR PURPOSE, OR NON-INFRINGEMENT OF THIRD PARTY INTELLECTUAL PROPERTY RIGHTS.

This document contains proprietary information of Analogix Semiconductor, Inc. or under license from third parties. No part of this document may be reproduced in any form or by any means or transferred to any third party without the prior written consent of Analogix Semiconductor, Inc.

The information contained in this document is not designed or intended for use in on-line control of aircraft, aircraft navigation or aircraft communications; or in the design, construction, operation or maintenance of any nuclear facility. Analogix disclaims any express or implied warranty of fitness for such uses.

Analogix Semiconductor, Inc., the Analogix Logo, and WideEye™ SerDes, CoolHD™, and SlimPort® are trademarks of Analogix Semiconductor, Inc., in the United States and other countries.

HDMI, the HDMI logo and High-Definition Multimedia Interface are trademarks or registered trademarks of HDMI Licensing LLC.

DisplayPort and the DisplayPort logo are trademarks or registered trademarks of the Video Electronics Standards Association, VESA®.

USB and the USB logo are trademarks or registered trademarks of USB Implementers Forum, Inc., creators of USB technology.

All other trademarks and registered trademarks are the property of their respective owners.