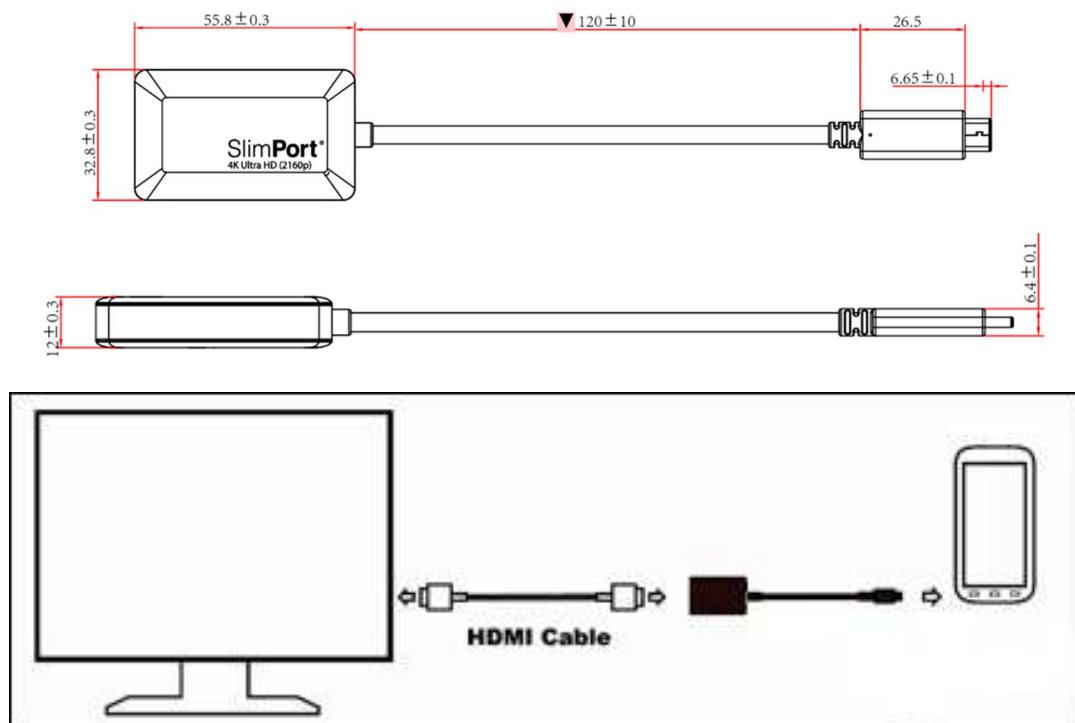


SlimPort® USB-C™ to HDMI® Adapter

The SP7101 SlimPort USB-C to HDMI adapter connects SlimPort or DisplayPort™ Alternate Mode enabled 4K Ultra HD mobile devices to HDMI monitors or TVs, allowing 2160p resolution videos and pictures from your mobile device to be viewed on a large screen.

Features

- Video output
 - HDMI 1.4b female connection to TV
 - Supports resolutions up to 3840*2160@30Hz, 24bpp
 - HDCP 1.4 and 2.2 pass-through content protection
 - Audio support to HDMI monitors
- Standards compliance
 - SlimPort certified
 - HDMI 1.4b compliant
 - FCC Part 15 Class B EMI compliant
 - CE certified
 - RoHS II compliant
- Connection
 - Reversible USB-C connection
- Other features
 - 1 year guarantee
 - 36 g
 - Plug-and-play functionality
- Physical specifications
 - HDMI molding: 5.0cm * 3.2cm * 1.0cm
 - USB-C molding: 2.5cm * 1.1cm * 0.5cm
 - Color: black with silver trimming
 - Length: 17.8cm
- Package
 - Gift Box with bubble bag
 - 3.6cm*21.5cm*1.5cm



Ordering Information

Part Number	Description
SP7101	SlimPort USB-C to HDMI adapter

Related Products

Part Number	Description
SP6001	SlimPort-4K HDMI adapter
SP8001	SlimPort NANO.CONSOLE



Copyright ©2017 Analogix Semiconductor, Inc.
 3211 Scott Blvd., Suite 100
 Santa Clara, CA 95054, USA
 +1 (408) 988-8848

<http://www.analogix.com/>

©2017 Analogix Semiconductor, Inc. All Rights reserved.

THE INFORMATION CONTAINED IN THIS DOCUMENT IS PROVIDED "AS IS" WITHOUT ANY EXPRESS REPRESENTATIONS OF WARRANTIES. IN ADDITION, ANALOGIX SEMICONDUCTOR INC. DISCLAIMS ALL IMPLIED REPRESENTATIONS AND WARRANTIES, INCLUDING ANY WARRANTY OF MERCHANTABILITY, FITNESS FOR A PARTICULAR PURPOSE, OR NON-INFRINGEMENT OF THIRD PARTY INTELLECTUAL PROPERTY RIGHTS.

This document contains proprietary information of Analogix Semiconductor, Inc. or under license from third parties. No part of this document may be reproduced in any form or by any means or transferred to any third party without the prior written consent of Analogix Semiconductor, Inc.

The information contained in this document is not designed or intended for use in on-line control of aircraft, aircraft navigation or aircraft communications; or in the design, construction, operation or maintenance of any nuclear facility. Analogix disclaims any express or implied warranty of fitness for such uses.

Analogix Semiconductor, Inc., the Analogix Logo, and WideEye™ SerDes, CoolHD™, and SlimPort® are trademarks of Analogix Semiconductor, Inc., in the United States and other countries.

HDMI, the HDMI logo and High-Definition Multimedia Interface are trademarks or registered trademarks of HDMI Licensing LLC.

DisplayPort and the DisplayPort logo are trademarks or registered trademarks of the Video Electronics Standards Association, VESA®.

USB and the USB logo are trademarks or registered trademarks of USB Implementers Forum, Inc., creators of USB technology.

All other trademarks and registered trademarks are the property of their respective owners.