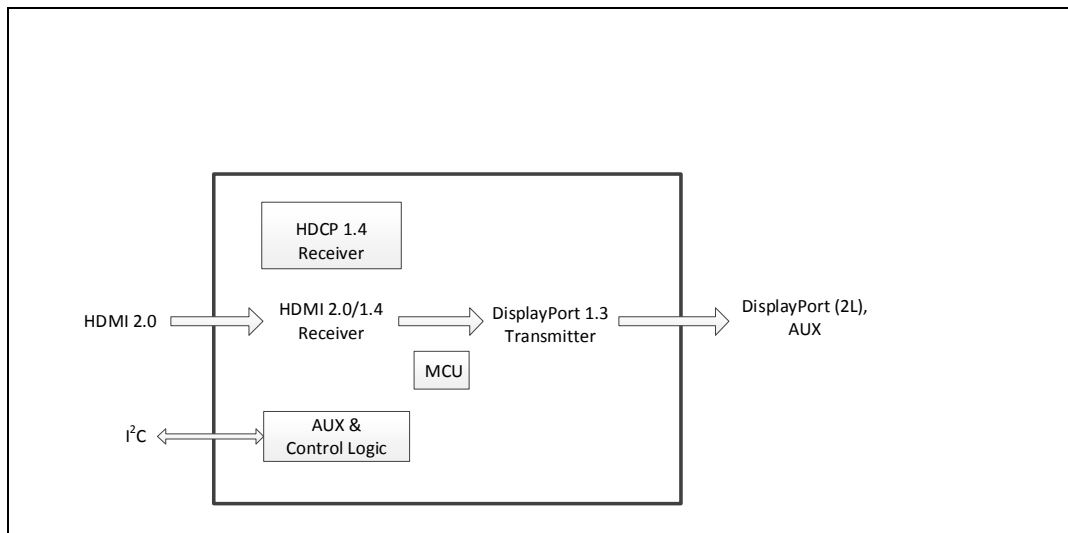


HDMI to DisplayPort Bridge Controller

ANX7678 is an ultra-low power **4K Ultra-HD (4096x2160p60)** SlimPort® transmitter designed for embedded applications, such as, virtual reality, docking stations, and other embedded DisplayPort™ applications with internal displays. The ANX7678 converts HDMI™ 2.0 to DisplayPort 1.3 Ultra-HD (4096x2160p60). Overall, the ANX7678 is designed to provide an internal DisplayPort connection between the HDMI interface and the internal DisplayPort panel. For virtual reality applications, the ANX7678 is a companion device to the ANX7530 (DisplayPort to Dual-MIPI) bridge converter.

Features

- Standard compliance
 - DisplayPort1.3, HDMI2.0/1.4b, HDCP 1.4 receiver
- DisplayPort transmitter
 - DisplayPort transmitter (2-lanes @6.75Gbps)
 - Configurable 1-lane or 2-lane output supports: HBR2.5, HBR2, HBR, and RBR data rates
 - Ultra-HD (3840x2160p60) or 4K (4096x2160p60) maximum video resolution
 - Stereo (3D) video output support
 - AUXP and AUXN support
 - HDCP1.4 receiver support
- HDMI 2.0 receiver
 - Supports max pixel clock rates up to 600 Mpixels/sec
- Up to 36bpp color depth support
- Up to Ultra-HD (3840x2160p60) or 4K (4096x2160p60) maximum video resolution
- Up to 8-channels digital audio support
- System operation
 - Reference input clock: 27MHz
 - Slave I²C device control interface
 - Built-in video BIST patterns and audio tone generator for system self-test
- Power supply requirements
 - 1.0V, 1.8V, and 3.3V
- Package: VFBGA



Related Products

| Part Number | Description |
|-------------|--|
| ANX7530 | DisplayPort to MIPI-DSI Bridge |
| ANX7625 | MIPI-DSI/DPI to USB Type-C Bridge (Port Controller with MUX) |
| ANX7816 | SlimPort Transmitter (Ultra-HD, 2160p30) with HDMI input |

Copyright ©2016 Analogix Semiconductor, Inc.
3211 Scott Blvd., Suite 100
Santa Clara, CA 95054, USA
+1 (408) 988-8848

<http://www.analogix.com/>

©2016 Analogix Semiconductor, Inc. All Rights reserved.

THE INFORMATION CONTAINED IN THIS DOCUMENT IS PROVIDED "AS IS" WITHOUT ANY EXPRESS REPRESENTATIONS OF WARRANTIES. IN ADDITION, ANALOGIX SEMICONDUCTOR INC. DISCLAIMS ALL IMPLIED REPRESENTATIONS AND WARRANTIES, INCLUDING ANY WARRANTY OF MERCHANTABILITY, FITNESS FOR A PARTICULAR PURPOSE, OR NON-INFRINGEMENT OF THIRD PARTY INTELLECTUAL PROPERTY RIGHTS.

This document contains proprietary information of Analogix Semiconductor, Inc. or under license from third parties. No part of this document may be reproduced in any form or by any means or transferred to any third party without the prior written consent of Analogix Semiconductor, Inc.

The information contained in this document is not designed or intended for use in on-line control of aircraft, aircraft navigation or aircraft communications; or in the design, construction, operation or maintenance of any nuclear facility. Analogix disclaims any express or implied warranty of fitness for such uses.

Analogix Semiconductor, Inc., the Analogix Logo, and WideEye™ SerDes, CoolHD™, and SlimPort® are trademarks of Analogix Semiconductor, Inc., in the United States and other countries.

HDMI, the HDMI logo and High-Definition Multimedia Interface are trademarks or registered trademarks of HDMI Licensing LLC.

DisplayPort and the DisplayPort logo are trademarks or registered trademarks of the Video Electronics Standards Association, VESA®.

USB and the USB logo are trademarks or registered trademarks of USB Implementers Forum, Inc., creators of USB technology.

All other trademarks and registered trademarks are the property of their respective owners.