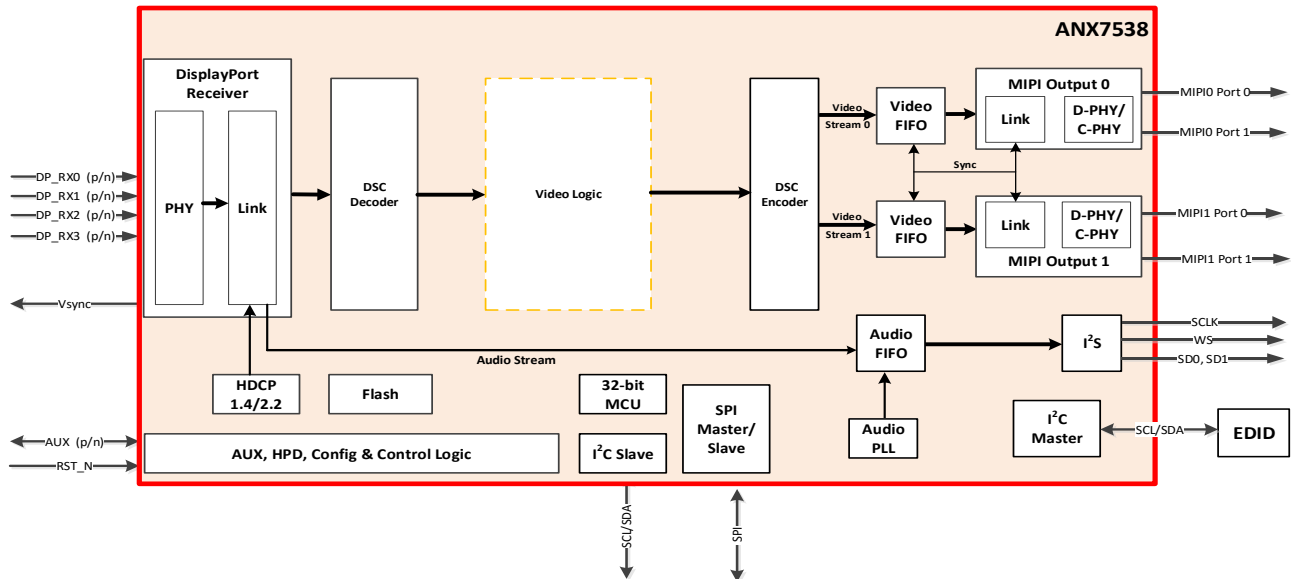


## SlimPort® (4K Ultra-HD) Receiver

ANX7538 is a low-power Ultra-HD (3840x2160p120) mobile HD receiver targeted primarily for Virtual Reality (VR) headsets. With a 4-lane DisplayPort1.4 input and dual MIPI outputs, the ANX7538's feature set is optimized to meet the high-performance requirements for current and next generation Head-Mounted Displays (HMD) for Virtual Reality (VR) and Augmented Reality (AR). Moreover, with data rate support of up to 8.1Gbps on its DisplayPort input, ANX7538 is an ideal companion device for today's high performance GPUs used in Virtual Reality applications.

### Features

- Standard compliance
  - DisplayPort1.4, HDCP2.2/1.4
  - MIPI-DSI 1.2 and D-PHY 1.1
- DisplayPort Receiver
  - DisplayPort1.4 receiver
  - Configurable 1, 2 or 4-lane input supports: HBR3 (8.1Gbps), HBR2 (5.4Gbps), HBR (2.7Gbps) and RBR (1.62Gbps)
  - Horizontal left / right line splitting
  - 3D stereo modes
  - HDCP2.2 and HDCP1.4 support
  - VESA DSC v1.2a (v1.1 compatible)
- Resolution
  - DisplayPort Receiver Input Bandwidth supports up to 3840x2160 at 120Hz
- Two MIPI DSI transmitter interface outputs
  - Two MIPI ports per display output
  - VESA DSC v1.2a (v1.1 compatible)
  - 8-MIPI lanes total per MIPI interface output
  - Combo PHY configurable for D-PHY or C-PHY (1.5Gbaud)
- System operation and power supply
  - Slave I<sup>2</sup>C interface
- I<sup>2</sup>S Stereo Audio Output
  - 2-channels, 192Khz sample rate
  - Up to 8-channels TDM
- Integrated video scaler
- Package: 169-BGA, 8x8mm<sup>2</sup>



## Related Products

| Part Number | Description  |
|-------------|--|
| ANX7327     | 10G Demux (4:6) with Integrated PD 3.0 Controller for USB3.1 and DisplayPort 1.4       |
| ANX7441     | 10G Active Re-timers for USB3.1 and DisplayPort 1.4                                    |
| ANX7496     | 8.1G Active Re-timer for DisplayPort 1.4   |
| ANX7490     | 10G Active Re-timer for USB3.1   |
| ANX7539     | SlimPort DisplayPort1.4 to Dual-MIPI Output Display Converter with DSC decoder/encoder |
| ANX7530     | SlimPort DisplayPort to Dual-MIPI Output Display Converter                             |
| ANX7533     | SlimPort DisplayPort to Dual-MIPI converter with 3:1 DSC on its MIPI Transmitters      |
| ANX7580     | SlimPort DisplayPort to Single-MIPI converter with 3:1 DSC on its MIPI Transmitter     |
| ANX7688     | SlimPort HDMI to USB Type-C Controller and Transmitter (Ultra-HD, 2160p60)             |

Copyright ©2016 Analogix Semiconductor, Inc.  
3211 Scott Blvd., Suite 100  
Santa Clara, CA 95054, USA  
+1 (408) 988-8848

<http://www.analogix.com/>

©2016 Analogix Semiconductor, Inc. All Rights reserved.

THE INFORMATION CONTAINED IN THIS DOCUMENT IS PROVIDED "AS IS" WITHOUT ANY EXPRESS REPRESENTATIONS OF WARRANTIES. IN ADDITION, ANALOGIX SEMICONDUCTOR INC. DISCLAIMS ALL IMPLIED REPRESENTATIONS AND WARRANTIES, INCLUDING ANY WARRANTY OF MERCHANTABILITY, FITNESS FOR A PARTICULAR PURPOSE, OR NON-INFRINGEMENT OF THIRD PARTY INTELLECTUAL PROPERTY RIGHTS.

This document contains proprietary information of Analogix Semiconductor, Inc. or under license from third parties. No part of this document may be reproduced in any form or by any means or transferred to any third party without the prior written consent of Analogix Semiconductor, Inc.

The information contained in this document is not designed or intended for use in on-line control of aircraft, aircraft navigation or aircraft communications; or in the design, construction, operation or maintenance of any nuclear facility. Analogix disclaims any express or implied warranty of fitness for such uses.

Analogix Semiconductor, Inc., the Analogix Logo, and WideEye™ SerDes, CoolHD™, and SlimPort® are trademarks of Analogix Semiconductor, Inc., in the United States and other countries.

HDMI, the HDMI logo and High-Definition Multimedia Interface are trademarks or registered trademarks of HDMI Licensing LLC.

DisplayPort and the DisplayPort logo are trademarks or registered trademarks of the Video Electronics Standards Association, VESA®.

USB and the USB logo are trademarks or registered trademarks of USB Implementers Forum, Inc., creators of USB technology.

All other trademarks and registered trademarks are the property of their respective owners.