

USB-C™ Port Controller

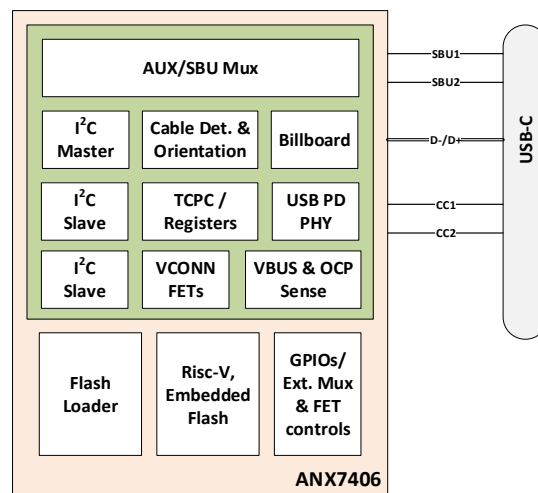
ANX7406 is a USB Type-C™ (USB-C) Port Controller that complies with the latest USB4 Version 1.0, USB Type C R2.0, and USB-PD v3.1 (r1.0) specifications. ANX7406 integrates the logic to manage cable attach and detach, orientation, and role detection. The on-chip microcontroller (OCM) facilitates USB-PD v3.0 messaging for fast charging, USB4, USB3.2, DisplayPort™ (DP) Alternate Mode (Alt Mode), and Thunderbolt3 Alternate Mode. ANX7406 can be configured as a Downstream Facing Port (DFP) or a Dual-Role Port (DRP), making it an ideal solution for various applications such as notebooks, desktops, and 2-in-1 PCs. ANX7406 supports a TCPC-compliant register interface and utilizes its 2 of I2C Slave ports for communication with an upstream embedded controller and PCH.

Features

- USB-PD Support: UFP and DFP
 - Chunking and unchunking
 - TCPCI compliant
 - Fast role swap (FRS)
 - Integrated VCONN switch
 - VBUS sense with 36V over current and over voltage protection
 - USB Billboard class (low speed)
- Embedded RISC-V core and secure FW update
 - 96KB instruction RAM, 16KB execution RAM
 - 512KB flash for FW storage
 - AES128 FW encryption with SHA256 signature
 - FW update through I2C and billboard device
- System Interface and IO control
 - 2x I2C slave interfaces; 1x I2C master interface
- Industry standard compatibility
 - HPD signal for DP applications
 - Role select configuration pin
 - USB Type-C r2.0 specification
 - USB Power Delivery v3.1 r1.0 specification
 - DisplayPort 2.0 specification
 - DisplayPort Alternate Mode over USB Type-C V2.0 specification
 - Universal Serial Bus (USB) Type-C Port Controller Interface r2.0 specification
- Dead battery detection support
- 36V overvoltage protection for CC1/CC2, SBU1/SBU2, VBUS
- Package
 - QFN-48, 6mm x 6mm,

Applications

Notebooks, desktops, and 2-in-1s



Related Products

Part Number	Description
ANX7447	USB Type-C Crosspoint Switch with On-chip Microcontroller

Copyright ©2018 Analogix Semiconductor, Inc.
3211 Scott Blvd., Suite 100
Santa Clara, CA 95054, USA
+1 (408) 988-8848

<http://www.analogix.com/>

©2018 Analogix Semiconductor, Inc. All Rights reserved.

THE INFORMATION CONTAINED IN THIS DOCUMENT IS PROVIDED "AS IS" WITHOUT ANY EXPRESS REPRESENTATIONS OF WARRANTIES. IN ADDITION, ANALOGIX SEMICONDUCTOR INC. DISCLAIMS ALL IMPLIED REPRESENTATIONS AND WARRANTIES, INCLUDING ANY WARRANTY OF MERCHANTABILITY, FITNESS FOR A PARTICULAR PURPOSE, OR NON-INFRINGEMENT OF THIRD PARTY INTELLECTUAL PROPERTY RIGHTS.

This document contains proprietary information of Analogix Semiconductor, Inc. or under license from third parties. No part of this document may be reproduced in any form or by any means or transferred to any third party without the prior written consent of Analogix Semiconductor, Inc.

The information contained in this document is not designed or intended for use in on-line control of aircraft, aircraft navigation or aircraft communications; or in the design, construction, operation or maintenance of any nuclear facility. Analogix disclaims any express or implied warranty of fitness for such uses.

Analogix Semiconductor, Inc., the Analogix Logo, and WideEye™ SerDes, CoolHD™, and SlimPort® are trademarks of Analogix Semiconductor, Inc., in the United States and other countries.

HDMI, the HDMI logo and High-Definition Multimedia Interface are trademarks or registered trademarks of HDMI Licensing LLC.

DisplayPort and the DisplayPort logo are trademarks or registered trademarks of the Video Electronics Standards Association, VESA®.

USB and the USB logo are trademarks or registered trademarks of USB Implementers Forum, Inc., creators of USB technology.

All other trademarks and registered trademarks are the property of their respective owners.