

12G Active Redriver with Linear Equalization for HDMI 2.1

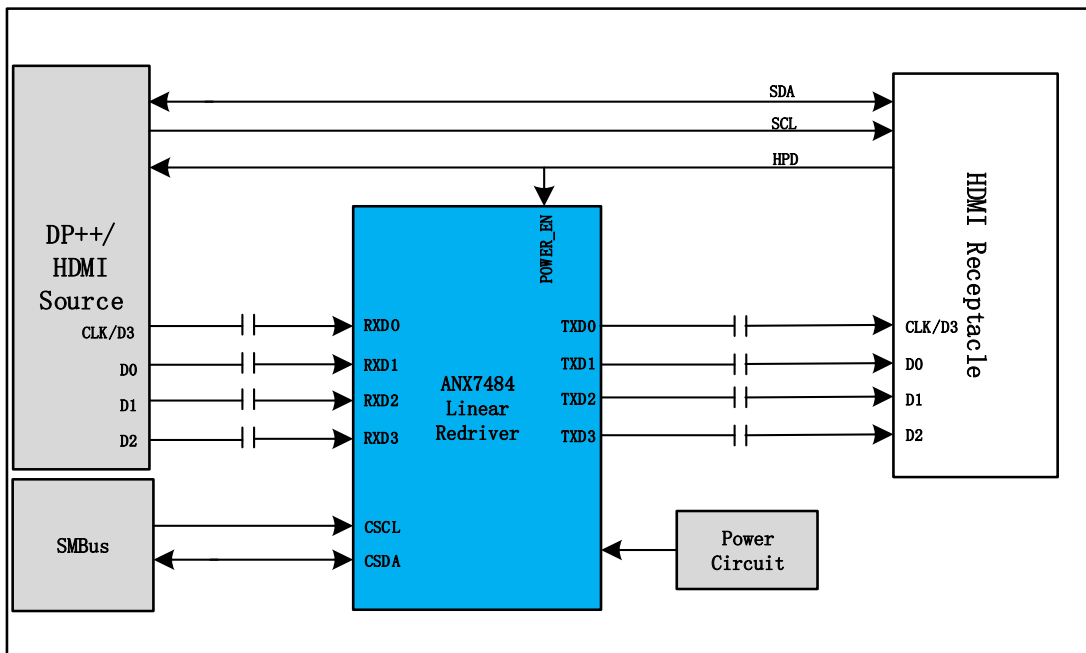
ANX7484 is a 4x4 redriver capable of transmitting HDMI 2.1 signaling at speeds of up to 12Gbps. ANX7484 supports a high-gain bandwidth linear amplifier with Continuous Time Linear Equalization (CTLE). The CTLE equalizer can recover up to 12dB insertion loss at 12Gbps.

Features

- Built-in CTLE redrivers
 - Independent channel configuration
 - Loss compensation to recover up to -12dB channel loss @ 12Gbps
- Four lanes of HDMI 2.1 up to 12Gbps
 - Supports DP++
- Serial and debug interfaces
 - I²C Slave interface, up to 1MHz, for redriver configuration
- Industry standard compatibility for HDMI
- Low-power design
 - Analog power supply at 1.8V
 - I/O power supply at 1.8V
 - Core power supply at 1.2V
- Package
 - QFN-50, 4.7mm x 6.4mm, 0.90mm Z-height, 0.35mm pin-pitch
- Commercial temperature range of 0C to 70C

Applications

Notebooks, desktops, gaming PCs, workstations, active cables, gaming consoles, set-to boxes and accessories



Related Products

Part Number	Description
ANX7451	10G Active Mux (4x4) with Integrated Re-timers for USB3.2/DisplayPort
ANX7431	USB3.2 (10G) 1x2 Active Switch USB-C Re-timer
ANX7433	10G Active Mux (1x2) with Integrated Re-timer and CC Detection for USB 3.2
ANX7443	10G Active Mux (6x4) with Integrated Re-timers for USB3.2/DisplayPort
ANX7491	10G USB 3.2 Re-timer (1-Port)
ANX7497	DisplayPort 4-lane Re-timer

Copyright ©2019 Analogix Semiconductor, Inc.
3211 Scott Blvd., Suite 100
Santa Clara, CA 95054, USA
+1 (408) 988-8848

<http://www.analogix.com/>

©2019 Analogix Semiconductor, Inc. All Rights reserved.

THE INFORMATION CONTAINED IN THIS DOCUMENT IS PROVIDED "AS IS" WITHOUT ANY EXPRESS REPRESENTATIONS OF WARRANTIES. IN ADDITION, ANALOGIX SEMICONDUCTOR INC. DISCLAIMS ALL IMPLIED REPRESENTATIONS AND WARRANTIES, INCLUDING ANY WARRANTY OF MERCHANTABILITY, FITNESS FOR A PARTICULAR PURPOSE, OR NON-INFRINGEMENT OF THIRD PARTY INTELLECTUAL PROPERTY RIGHTS.

This document contains proprietary information of Analogix Semiconductor, Inc. or under license from third parties. No part of this document may be reproduced in any form or by any means or transferred to any third party without the prior written consent of Analogix Semiconductor, Inc.

The information contained in this document is not designed or intended for use in on-line control of aircraft, aircraft navigation or aircraft communications; or in the design, construction, operation or maintenance of any nuclear facility. Analogix disclaims any express or implied warranty of fitness for such uses.

Analogix Semiconductor, Inc., the Analogix Logo, and WideEye™ SerDes, CoolHD™, and SlimPort® are trademarks of Analogix Semiconductor, Inc., in the United States and other countries.

HDMI, the HDMI logo and High-Definition Multimedia Interface are trademarks or registered trademarks of HDMI Licensing LLC.

DisplayPort and the DisplayPort logo are trademarks or registered trademarks of the Video Electronics Standards Association, VESA®.

USB and the USB logo are trademarks or registered trademarks of USB Implementers Forum, Inc., creators of USB technology.

All other trademarks and registered trademarks are the property of their respective owners.