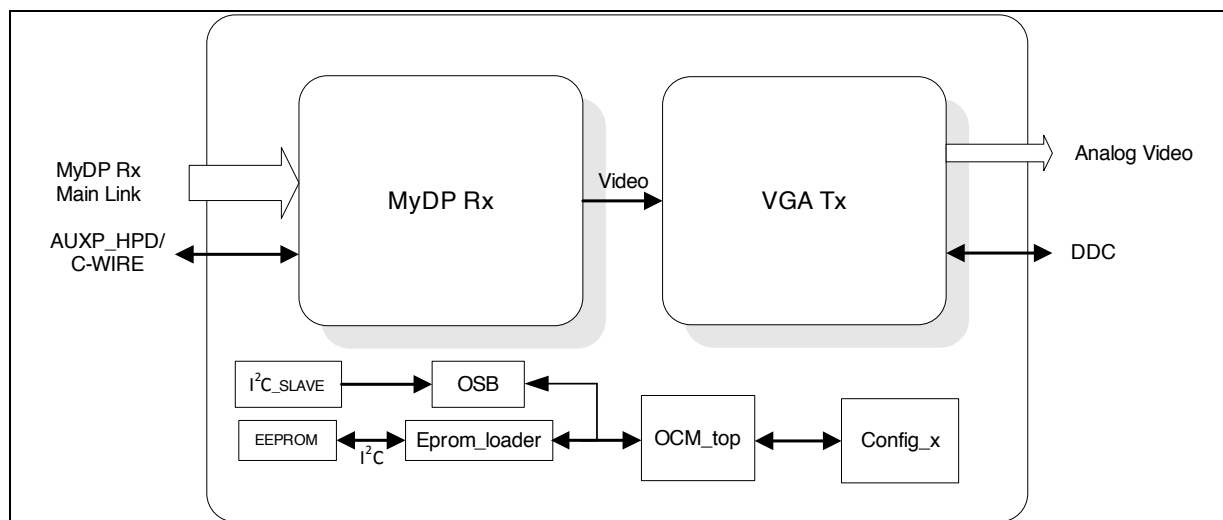


SlimPort® to VGA Converter

The ANX7732 is a SlimPort® to VGA converter designed to interoperate with any Mobility DisplayPort™ (MyDP) enabled transmitter in smartphones, tablets, Ultrabooks, sports cameras, camcorders, and set top boxes. The ANX7732 works in conjunction with MyDP transmitters, such as the ANX7805 and ANX7808. The ANX7732 transforms the MyDP output of a source device to VGA output so that the device can connect to any high-definition TV, monitor, or projector.

Features

- Standard compliance
 - MyDP 1.0, VESA VSIS v1r2
- VGA transmitter output
 - Supports resolutions up to WUXGA (1920x1200 @60Hz, 24bpp)
 - VGA output meets the VESA VSIS v1r2 clock jitter specification
 - VGA output pixel rate up to 180 MHz
 - Low power standby mode with automatic monitor plug and unplug support
 - EDID and MCCS pass-through support
- MyDP receiver input
 - MyDP 1.0 input
 - Configurable 1-lane input supports: 5.4Gbps, 2.7Gbps or 1.62Gbps data rates
 - Spread Spectrum Clocking support
 - Single-wire AUXP (C-WIRE) sideband communication
- System operation
 - Integrated MCU and EEPROM
 - Slave I²C device control interface
 - Built-in video BIST patterns generator for system self-test
- Power requirements
 - 350mW power at WUXGA (1920x1200@60, 24bpp)
 - Single power supply: 3.3V
 - On-chip 5V Display Data Channel (DDC) output
- Package offered: QFN: 48-pin, 6mm x 6mm, 0.4mm pin-pitch
- RoHS compliant and Halogen free package



Related Products

Part Number	Description
ANX7802	SlimPort Transmitter (HD, 1080p30) with HDMI input
ANX7805	SlimPort Transmitter (Full-HD, 1080p60) with RGB-24, MIPI-DSI, SPDIF, I ² S and SLIMbus inputs
ANX7808	SlimPort Transmitter with HDMI (including 3D) input
ANX7812	SlimPort Transmitter (Full-HD, 1080p60) with HDMI input
ANX7814	SlimPort Transmitter (Full-HD, 1080p60) with HDMI input
ANX7816	SlimPort Transmitter (Ultra-HD, 4Kp60) with HDMI input
ANX7730	SlimPort to HDMI (Full-HD, 1080p60 and 3D) converter
ANX7748	SlimPort to DisplayPort (WUXGA, 1920x1080p60) active lane converter

Copyright ©2014 Analogix Semiconductor, Inc.
 3211 Scott Blvd., Suite 103
 Santa Clara, CA 95054, USA
 +1(408) 988-8848

<http://www.analogix.com/>

©2014 Analogix Semiconductor, Inc. All Rights reserved.

THE INFORMATION CONTAINED IN THIS DOCUMENT IS PROVIDED "AS IS" WITHOUT ANY EXPRESS REPRESENTATIONS OF WARRANTIES. IN ADDITION, ANALOGIX SEMICONDUCTOR INC. DISCLAIMS ALL IMPLIED REPRESENTATIONS AND WARRANTIES, INCLUDING ANY WARRANTY OF MERCHANTABILITY, FITNESS FOR A PARTICULAR PURPOSE, OR NON-INFRINGEMENT OF THIRD PARTY INTELLECTUAL PROPERTY RIGHTS.

This document contains proprietary information of Analogix Semiconductor, Inc. or under license from third parties. No part of this document may be reproduced in any form or by any means or transferred to any third party without the prior written consent of Analogix Semiconductor, Inc.

The information contained in this document is not designed or intended for use in on-line control of aircraft, aircraft navigation or aircraft communications; or in the design, construction, operation or maintenance of any nuclear facility. Analogix disclaims any express or implied warranty of fitness for such uses.

Analogix Semiconductor, Inc., the Analogix Logo, and WideEye™ SerDes, SlimPort®, and CoolHD® are trademarks of Analogix Semiconductor, Inc., in the United States and other countries.

HDMI, the HDMI logo and High-Definition Multimedia Interface are trademarks or registered trademarks of HDMI Licensing LLC.

DisplayPort and the DisplayPort logo are trademarks or registered trademarks of the Video Electronics Standards Association, VESA®.

USB and the USB logo are trademarks or registered trademarks of USB Implementers Forum, Inc., creators of USB technology.

All other trademarks and registered trademarks are the property of their respective owners.