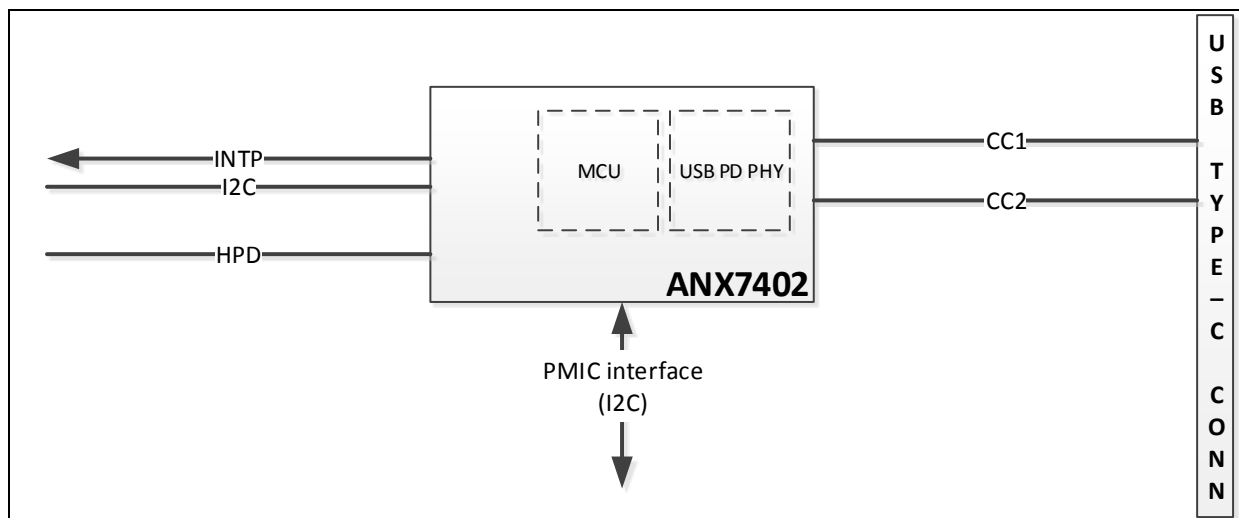


USB Power Delivery PHY with Channel Configuration Control

ANX7402 is a USB Power Delivery (USB-PD) PHY with an integrated microcontroller (MCU). The MCU enables ANX7402 to manage the cable detection, USB Power Delivery negotiations, Vendor Defined Message (VDM) communication protocol, and other functions, as defined in the USB Type-C™ v1.0 and USB Power Delivery v2.0 specifications. ANX7402 supports a Hot Plug Detect (HPD) input pin and converts the HPD signal over the Configuration Channel (CC) to enable DisplayPort™ (DP) Alt Mode applications. When paired with a DP-to-HDMI/VGA bridge (such as the ANX7737/9837) and a USB Billboard device IC, the ANX7402 creates an ideal solution for USB Type-C (USB-C™) dongle and docking station applications.

Features

- Embedded MCU to implement cable detection and USB-PD messaging for charging related functions
- 5V-tolerant CC/VCONN signals
- Dead battery charging support
- I2C slave mode to support external MCU/IC
- I2C master and GPIOs to control external switch, Power Management Integrated Circuits (PMICs) or USB charger IC based on the USB-PD configuration
- 3.3V power supply (1.0V Core power generated by internal regulator)
- Supports the following
 - USB Power Delivery Specification v2.0 on CC wire
 - HPD input pin and conversion over CC for DP Alt Mode applications
- Compliant with the following
 - USB Type-C Cable and Connector Specification (rev 1.0)
 - USB Power Delivery Specification v2.0 (rev 1.0)



Related Products

| Part Number | Description |
|-------------|---|
| ANX7802 | SlimPort Transmitter (HD, 1080p30) with HDMI input |
| ANX7805 | SlimPort Transmitter (Full-HD, 1080p60) with RGB-24, MIPI-DSI, SPDIF, I ² S and SLIMbus inputs |
| ANX7812 | SlimPort Transmitter (Full-HD, 1080p60) with HDMI input |
| ANX7814 | SlimPort Transmitter (Full-HD, 1080p60) with HDMI input |
| ANX7816 | SlimPort Transmitter (Ultra-HD, 4Kp60) with HDMI input |
| ANX7730 | SlimPort to HDMI (Full-HD, 1080p60 and 3D) converter |
| ANX7732 | SlimPort to VGA (WUXGA, 1920x1080p60) converter |
| ANX7748 | SlimPort to DisplayPort (WUXGA, 1920x1080p60) active lane converter |

Copyright ©2015 Analogix Semiconductor, Inc.
 3211 Scott Blvd., Suite 103
 Santa Clara, CA 95054, USA
 +1 (408) 988-8848

<http://www.analogix.com/>

©2015 Analogix Semiconductor, Inc. All Rights reserved.

THE INFORMATION CONTAINED IN THIS DOCUMENT IS PROVIDED "AS IS" WITHOUT ANY EXPRESS REPRESENTATIONS OF WARRANTIES. IN ADDITION, ANALOGIX SEMICONDUCTOR INC. DISCLAIMS ALL IMPLIED REPRESENTATIONS AND WARRANTIES, INCLUDING ANY WARRANTY OF MERCHANTABILITY, FITNESS FOR A PARTICULAR PURPOSE, OR NON-INFRINGEMENT OF THIRD PARTY INTELLECTUAL PROPERTY RIGHTS.

This document contains proprietary information of Analogix Semiconductor, Inc. or under license from third parties. No part of this document may be reproduced in any form or by any means or transferred to any third party without the prior written consent of Analogix Semiconductor, Inc.

The information contained in this document is not designed or intended for use in on-line control of aircraft, aircraft navigation or aircraft communications; or in the design, construction, operation or maintenance of any nuclear facility. Analogix disclaims any express or implied warranty of fitness for such uses.

Analogix Semiconductor, Inc., the Analogix Logo, and WideEye™ SerDes, CoolHD™, and SlimPort® are trademarks of Analogix Semiconductor, Inc., in the United States and other countries.

HDMI, the HDMI logo and High-Definition Multimedia Interface are trademarks or registered trademarks of HDMI Licensing LLC.

DisplayPort and the DisplayPort logo are trademarks or registered trademarks of the Video Electronics Standards Association, VESA®.

USB and the USB logo are trademarks or registered trademarks of USB Implementers Forum, Inc., creators of USB technology.

All other trademarks and registered trademarks are the property of their respective owners.