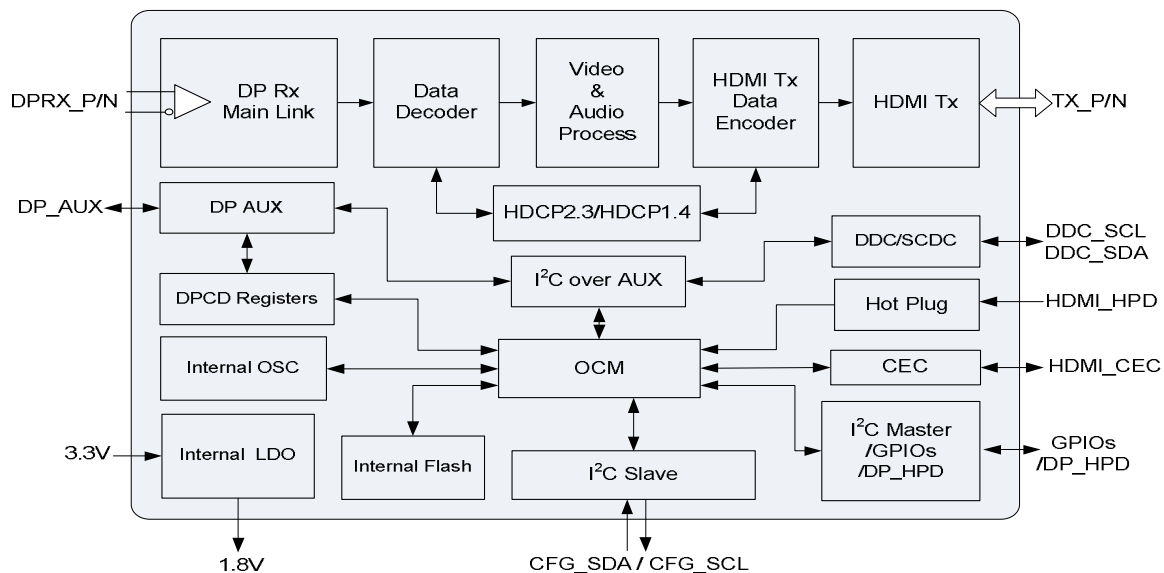


DisplayPort 1.4 to HDMI2.0b Converter

ANX7510 is a DisplayPort1.4 to HDMI2.0b converter, which includes 3D display delivery capability. It can support up to 4 lanes of 5.4Gbps speed in conjunction with any 4K@60 DP alternate mode USB-C source. ANX7510 transforms the DisplayPort to HDMI or DVI so that the device can connect to any high-definition TV, monitor, or projector.

Features

- VESA DisplayPort™ (DP) v1.4 compliant receiver
 - 1, 2 and 4 lanes up to HBR3 (8.1Gbps) input
 - 1 MHz AUX Channel
 - Horizontal Blanking Expansion Operation
 - 27dB insertion loss recovery
- HDMI Specification v2.0b compliant transmitter
 - TMDS scrambling up to 600MHz pixel clock rate
 - Support up to 4096x2160@60Hz
 - SCDC (Status and Control Data Channel)
 - CEC2.0
- Support HDCP2.3, HDCP2.2 and HDCP1.4 repeater with HDCP keys inside
- Video stream
 - Support High Dynamic Range (HDR) metadata
 - Support 3D timing
- Audio Stream
 - Max audio sample rate of 192KHz x8 channels
 - 8-ch LPCM, compressed audio (AC-3, DTS)
- Integrated reference clock
- On chip micro-controller (OCM) and integrated memory
- Serial and debug interfaces
 - Support I²C Slave and master interface, up to 1MHz
 - Re-purpose GPIOs for UART or I²C master interface
- Support 3.3V and 0.9V power supply
- Flexible Firmware update methods
- Package
 - QFN-48, 6mmx6mm, 0.4mm pin-pitch
- Commercial temperature range of 0C to 70C
- HBM 4KV



Related Products

Part Number	Description
ANX7750	DisplayPort Converter (4K@30Hz) with 1-lane DisplayPort1.2a input
ANX9837	DisplayPort Converter (WQXGA, 2560x1080@60Hz) with two-lane high-speed differential input at 5.4Gbps, 2.7Gbps, or 1.62Gbps

Copyright ©2015 Analogix Semiconductor, Inc.
3211 Scott Blvd., Suite 103
Santa Clara, CA 95054, USA
+1 (408) 988-8848

<http://www.analogix.com/>

©2015 Analogix Semiconductor, Inc. All Rights reserved.

THE INFORMATION CONTAINED IN THIS DOCUMENT IS PROVIDED "AS IS" WITHOUT ANY EXPRESS REPRESENTATIONS OF WARRANTIES. IN ADDITION, ANALOGIX SEMICONDUCTOR INC. DISCLAIMS ALL IMPLIED REPRESENTATIONS AND WARRANTIES, INCLUDING ANY WARRANTY OF MERCHANTABILITY, FITNESS FOR A PARTICULAR PURPOSE, OR NON-INFRINGEMENT OF THIRD PARTY INTELLECTUAL PROPERTY RIGHTS.

This document contains proprietary information of Analogix Semiconductor, Inc. or under license from third parties. No part of this document may be reproduced in any form or by any means or transferred to any third party without the prior written consent of Analogix Semiconductor, Inc.

The information contained in this document is not designed or intended for use in on-line control of aircraft, aircraft navigation or aircraft communications; or in the design, construction, operation or maintenance of any nuclear facility. Analogix disclaims any express or implied warranty of fitness for such uses.

Analogix Semiconductor, Inc., the Analogix Logo, and WideEye™ SerDes, and SlimPort® are trademarks of Analogix Semiconductor, Inc., in the United States and other countries.

HDMI, the HDMI logo and High-Definition Multimedia Interface are trademarks or registered trademarks of HDMI Licensing LLC.

DisplayPort and the DisplayPort logo are trademarks or registered trademarks of the Video Electronics Standards Association, VESA®.

USB and the USB logo are trademarks or registered trademarks of USB Implementers Forum, Inc., creators of USB technology.

All other trademarks and registered trademarks are the property of their respective owners.